



## Eclipse - Basin & Pedestal

### PRODUCT CODES

<b>WHITE BOXED BASIN:</b>	WCOM208A	BASINBOX-ECLIPSE-W/HUNG-WHI
<b>WHITE BOXED PED:</b>	PCOM208A	PEDBOX-ECLIPSE-WHI
<b>BASIN:</b>	WCOM208A	BASINBOX-ECLIPSE-W/HUNG-WHI
<b>OVERFLOW:</b>	TGWBROSE	TG-WASH BASIN OVERFLOW ROSETTE
<b>PED:</b>	PCOM208A	PEDBOX-ECLIPSE-WHI

WALL HUNG BASIN, PEDESTAL, FLOOR MOUNTED WITH FIXATIONS

<b>WEIGHT OF BASIN:</b>	13kg
<b>WEIGHT OF PEDESTAL:</b>	9.5kg
<b>BASIN WIDTH:</b>	510mm
<b>BASIN LENGTH:</b>	450mm
<b>BASIN DEPTH:</b>	150mm
<b>PEDESTAL WIDTH:</b>	220mm
<b>PEDESTAL HEIGHT:</b>	630mm
<b>COMBINED HEIGHT:</b>	810mm
<b>WASTE SIZE:</b>	45mm
<b>OVERFLOW SIZE:</b>	24mm
<b>CENTRE TAP DIAMETER:</b>	35mm
<b>SIDE TAP DIAMETER:</b>	31mm
<b>SIDE TAP DISTANCE:</b>	200mm
<b>FIXATION HOLE DISTANCE:</b>	250mm



AVAILABLE COLOURS:

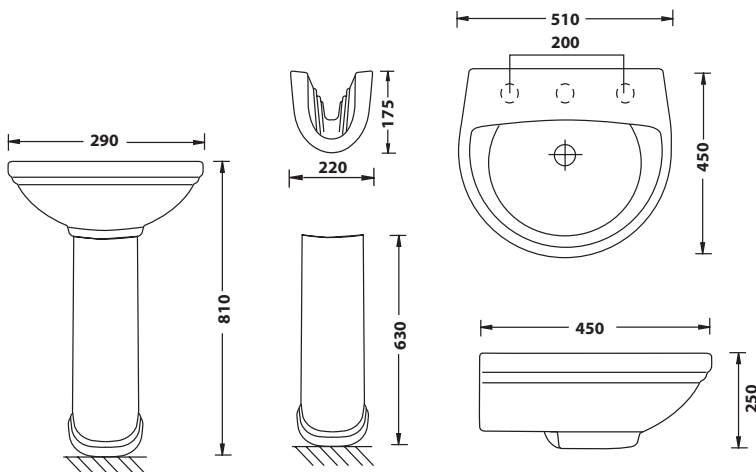


The Eclipse basin is a wall-hung basin, with floor mounted pedestal.

### ECLIPSE BASIN & PEDESTAL INSTALLATION GUIDE:

1. Mark the position of the basin on the wall.
2. Screw the basin to the wall or hang it on the brackets depending on the type.
3. Connect the supply pipes to the taps.
4. Fit the trap to the basin waste.
5. The pedestal must be fitted under the basin to cover the plumbing at the end.

Then tighten basin fixation bolts last.



**10**  
YEAR  
WARRANTY



**CERAMIC INDUSTRIES**

Tiles & Bathroomware

*Creators of style*