



Linear - Straight Drop-in Bath

PRODUCT CODES

WHITE BATH: 314-01 Linear-1800-WHI

DROP-IN STRAIGHT BATH

BATH WIDTH: 800mm
BATH HEIGHT: 520mm
BATH LENGTH: 1800mm
BATH VOLUME: 180l
WASTE SIZE: 52mm
OVERFLOW SIZE: 40mm

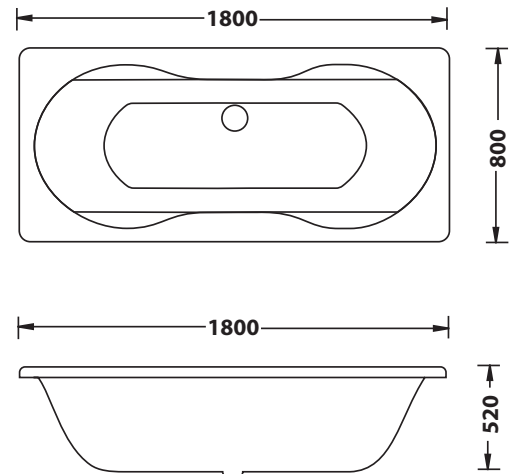


The Linear is a straight drop-in bath.

LINEAR STRAIGHT DROP-IN BATH INSTALLATION GUIDE:

1. Turn off your water supply at your home and check that all water has drained out of the pipes
2. If you are planning to move the plumbing points get an accredited Plumber to do this for you.
3. Remove the old bath installation. Prepare the area where you are going to install the bath. Ensure that the area is free of any sharp objects which may damage the bottom or the sides of the bath.
4. Prepare the area where you are going to install the bath. Ensure that the area is free of any sharp objects which may damage the bottom or the sides of the bath
5. Decide how high you want the bath above the floor. Measure and mark up. It is recommended that it should be at least 450mm above the floor.
6. Once you have marked the height, securely fasten support battens against the back and sidewall. Make sure they are level.
7. Position the bath with the backside resting on the battens. Check that the bath is level by using your spirit level. Place three equally spaced rows of bricks, with ample mortar, under the reinforcing ribs of the bath. This will support the underside of the bath. Check that the first row is as close as possible to the waste fitting.
8. Check that the openings and sides are now level with the ends of the battens. Install taps and waste pipe and fittings, if you have not already done so.
9. Finish the frame. The outside of the frame is often tiled to create a cohesive bathroom design. Make sure to leave an access area if you are installing a whirlpool tub (for future repairs).
10. You can finish the frame with any materials that work with your interior design.

AVAILABLE COLOURS:



**10
YEAR
WARRANTY**



CERAMIC INDUSTRIES

Tiles & Bathroomware

Creators of style